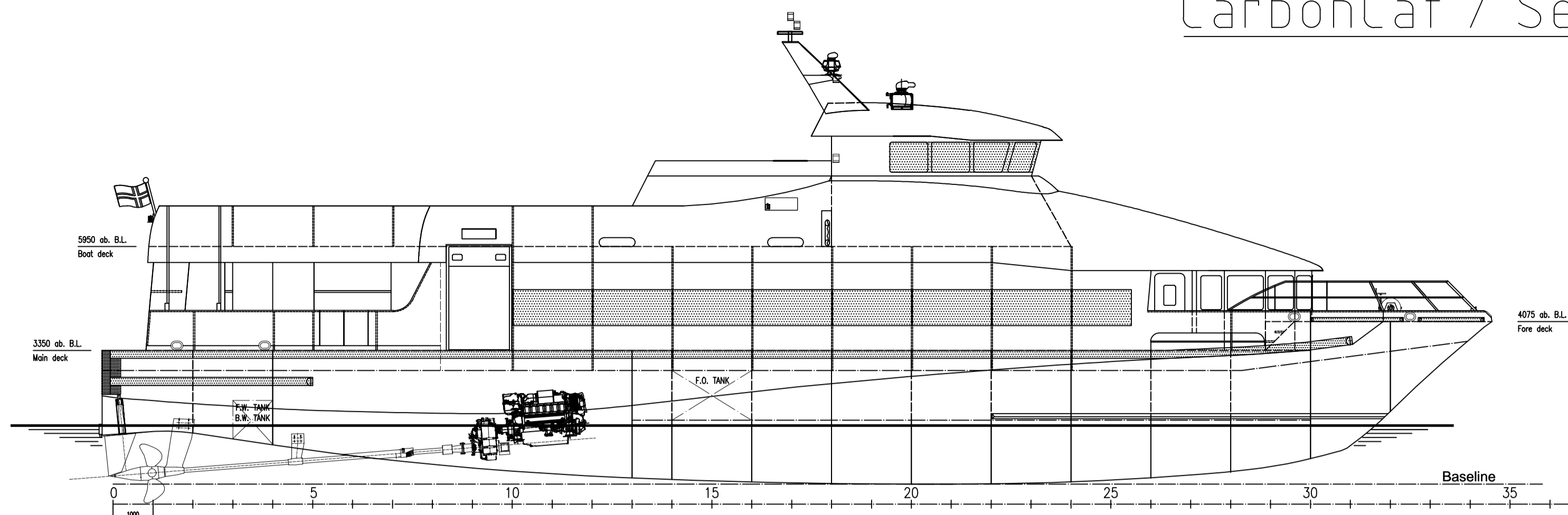
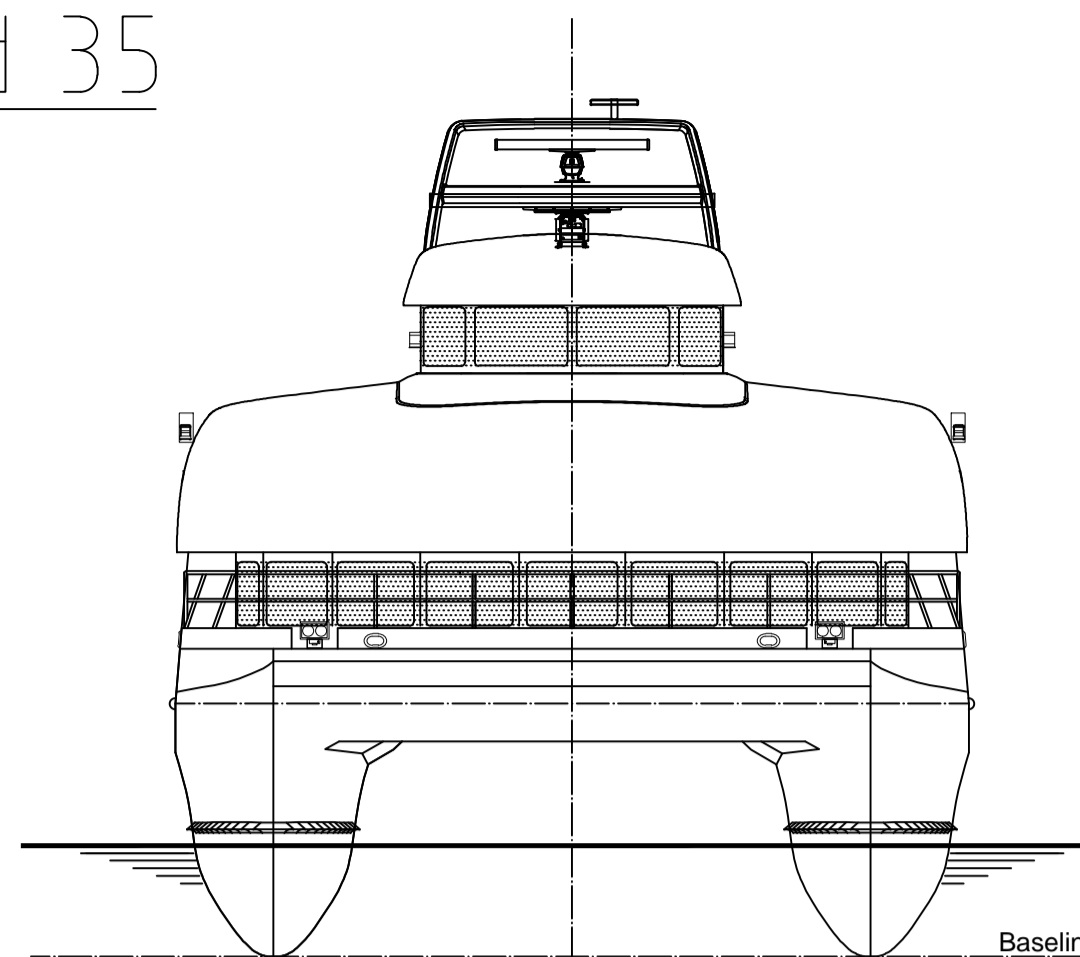


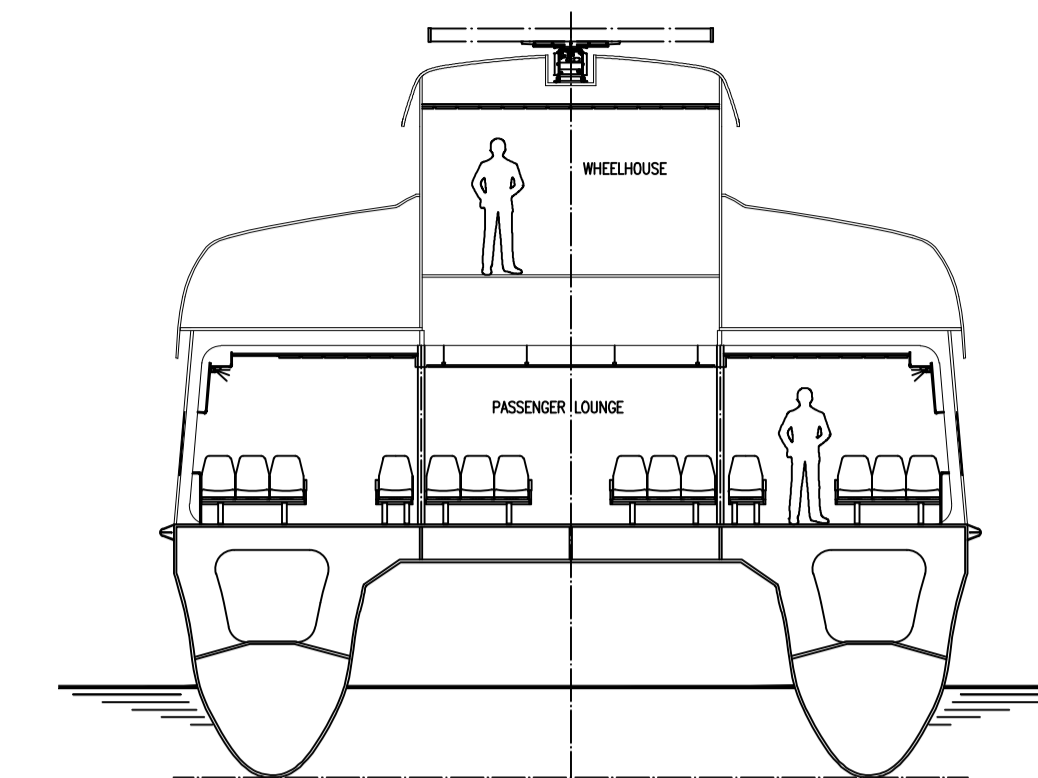
# CarbonCat / Sealord 35



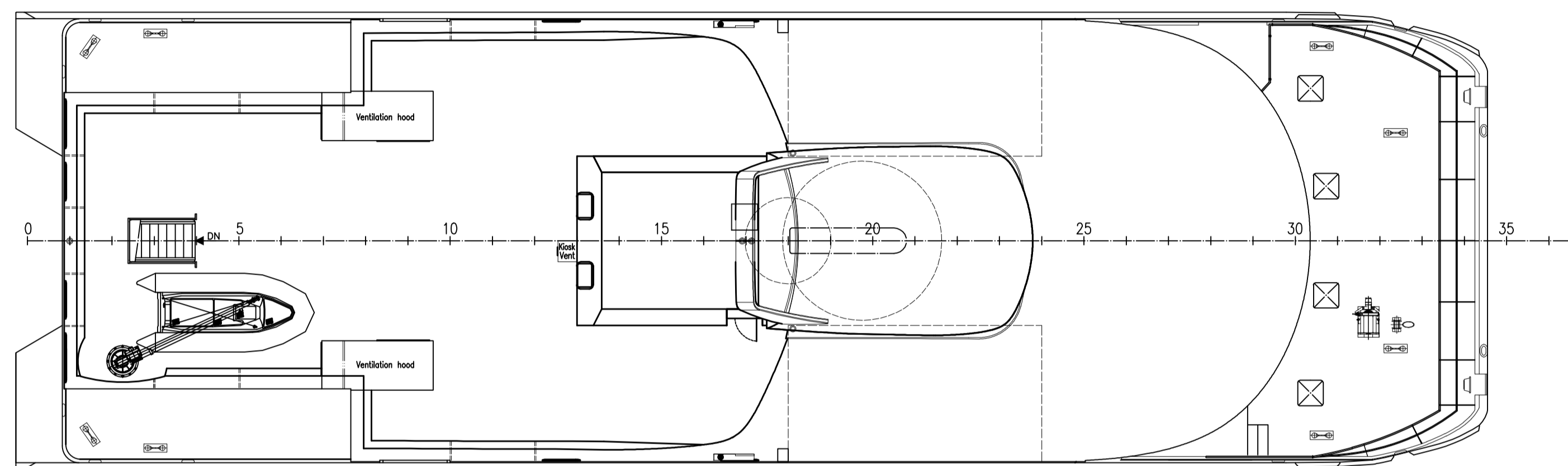
Profile



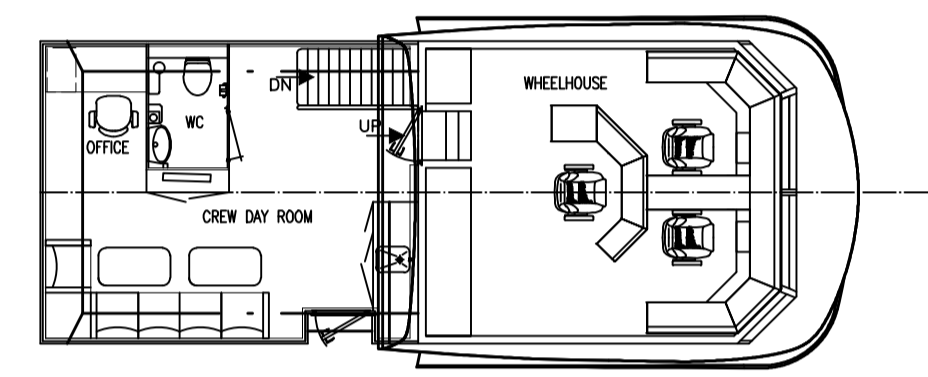
Front view



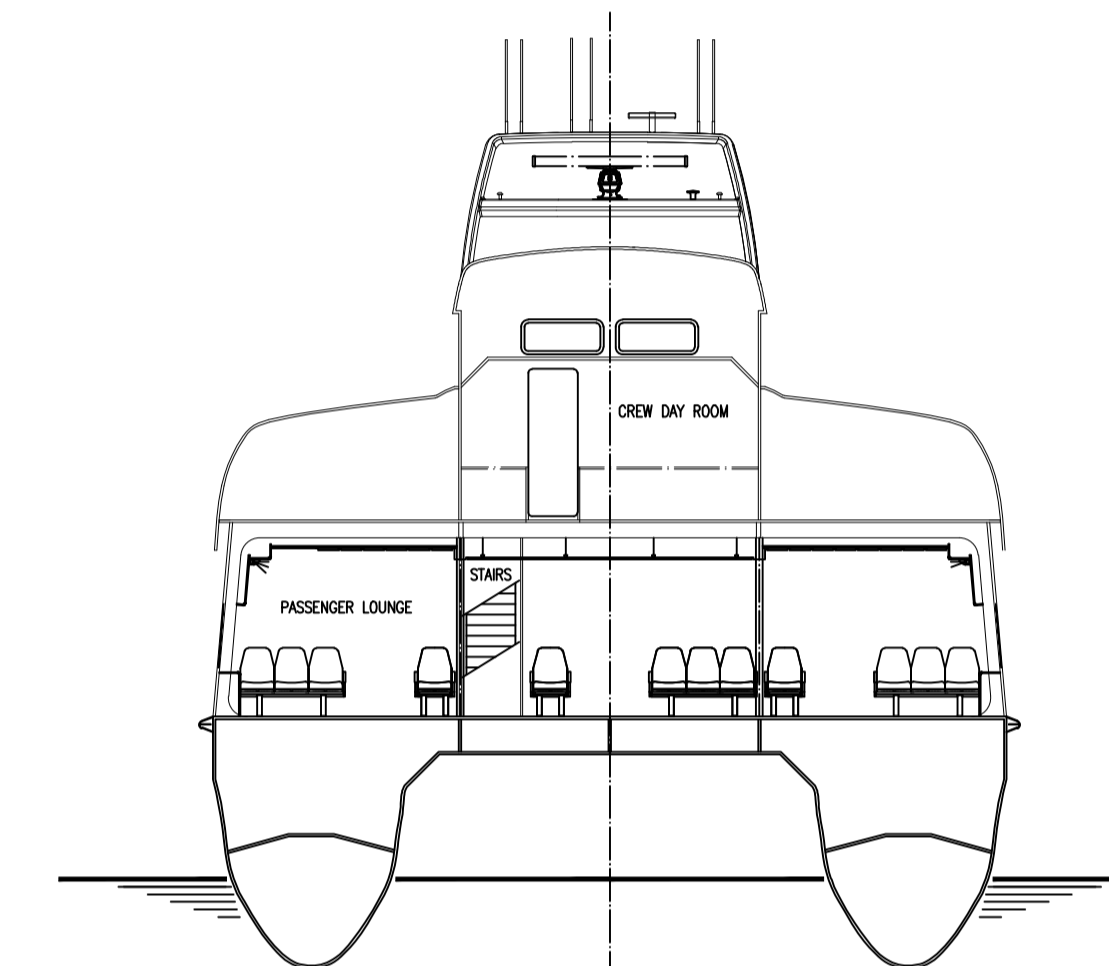
# 20



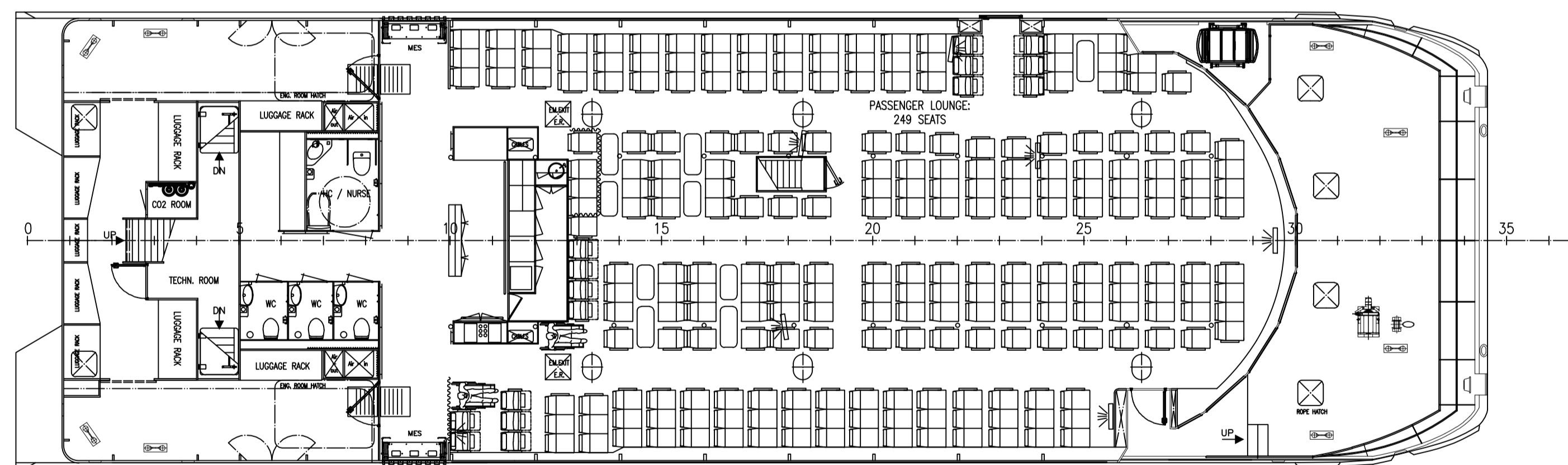
Top view



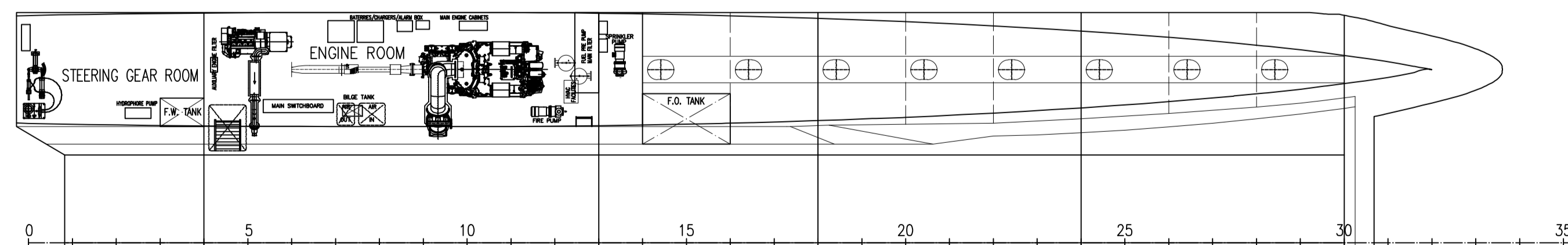
Bridge plan



# 18



Main deck



Below main deck

## Main dimensions

Length over all: 35,3 m  
 Beam moulded: 10,5 m  
 Beam over all: 10,9 m  
 Hull Depth: 3,1 m  
 Passenger capacity: 250 persons

## Rules & Regulations

NMD Regulations for service area 3  
 HSC Code 2000

E	As built	03.09.10	FCO		FCO
D	General updates	23.02.10	FCO		FCO
C	Issued for approval	09.10.09	FCO	VRU	FCO
B	Issued for approval	25.09.09	FCO	TB	FCO
A	Issued for comments	17.08.09	FCO/VRU		FCO
04	Updated according to clients comments	06.01.09	VRU	TB	
03	Updated according to clients comments	17.12.08	VRU	TB	
02	Issued for bidding	04.12.08	OKO	TB	
REV.	TEXT	REV.DATE	DRAWN	CHECK	APP.

THIS DRAWING IS THE PROPERTY OF LMG MARIN AND BÅTSERVICE MANDAL. THE DRAWING SHALL NOT BE DISCLOSED TO ANY THIRD PARTY WITHOUT THE WRITTEN PRIOR CONSENT OF LMG MARIN AND BÅTSERVICE MANDAL.

 NAVAL ARCHITECTS & ENGINEERS LIND, ROSE & GUSTAV-BOSSE MANDAL A.S. BODØ, NORWAY	DRAWING NO.	84/85/86-10-17413-E
	CLIENT	PROJECT
Båtservice Mandal as P.O. BOX 113, N-4001 MANDAL TELEPHONE: +47 38 27 13 00 E-MAIL: post@batservice.no	TITLE	General Arrangement
LMG DWG. NO.: 299006-T-103-A-001 REPLACEMENT FOR: 299006-T-103-A-001 DAK. TOOL: ACAD 2008 PRIMARY SCALE: 1:100 SHEET SIZE: A1 SHEET OF: 1	YARD NO.: SFI NO.: ID NO.: REV. NO.:	