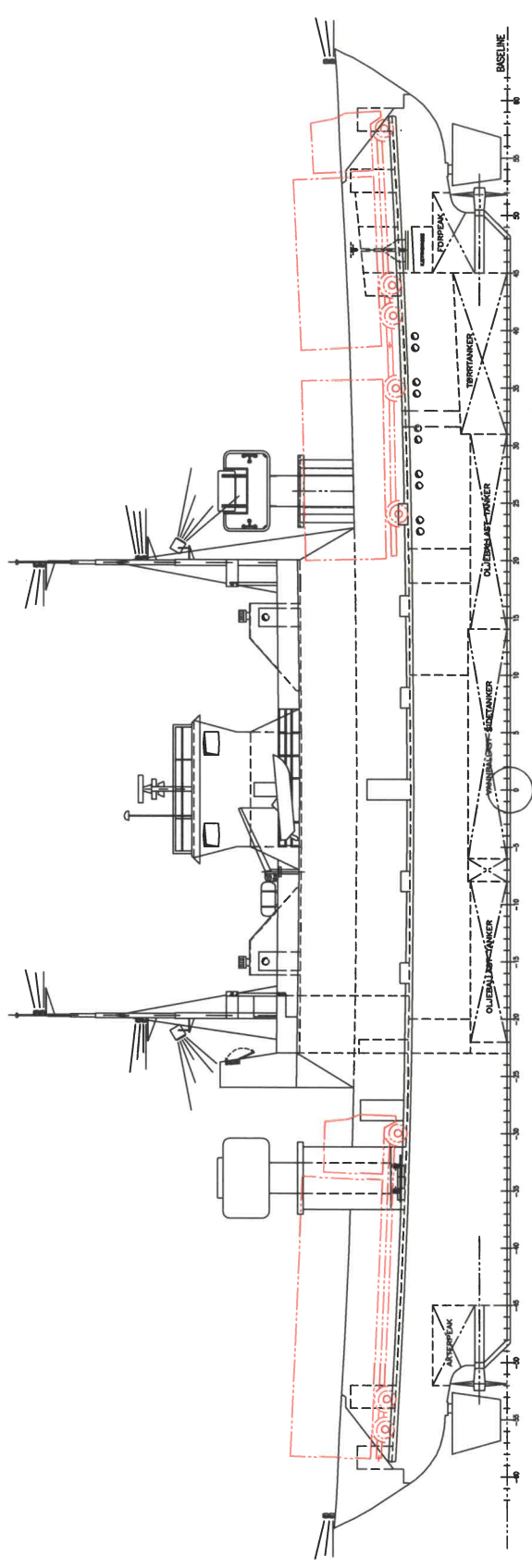
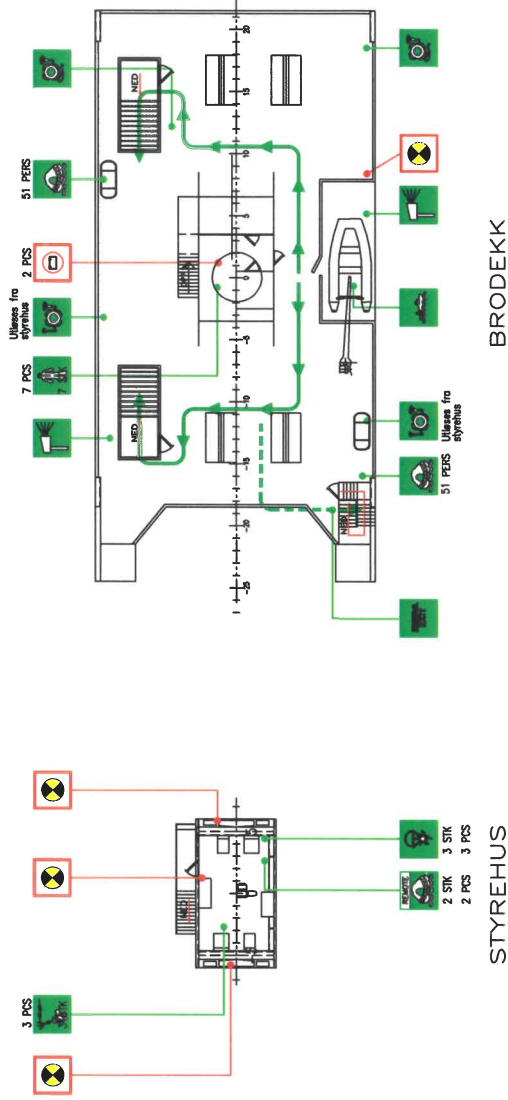


# SAFETY & EVACUATION PLAN SIKKERHETS & EVAKUERINGSPLAN

## MF "ROSENDAL" - J X T H TORGHATTEN NORD

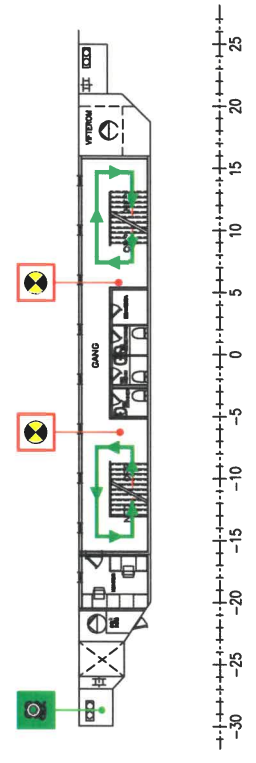


PROFIL



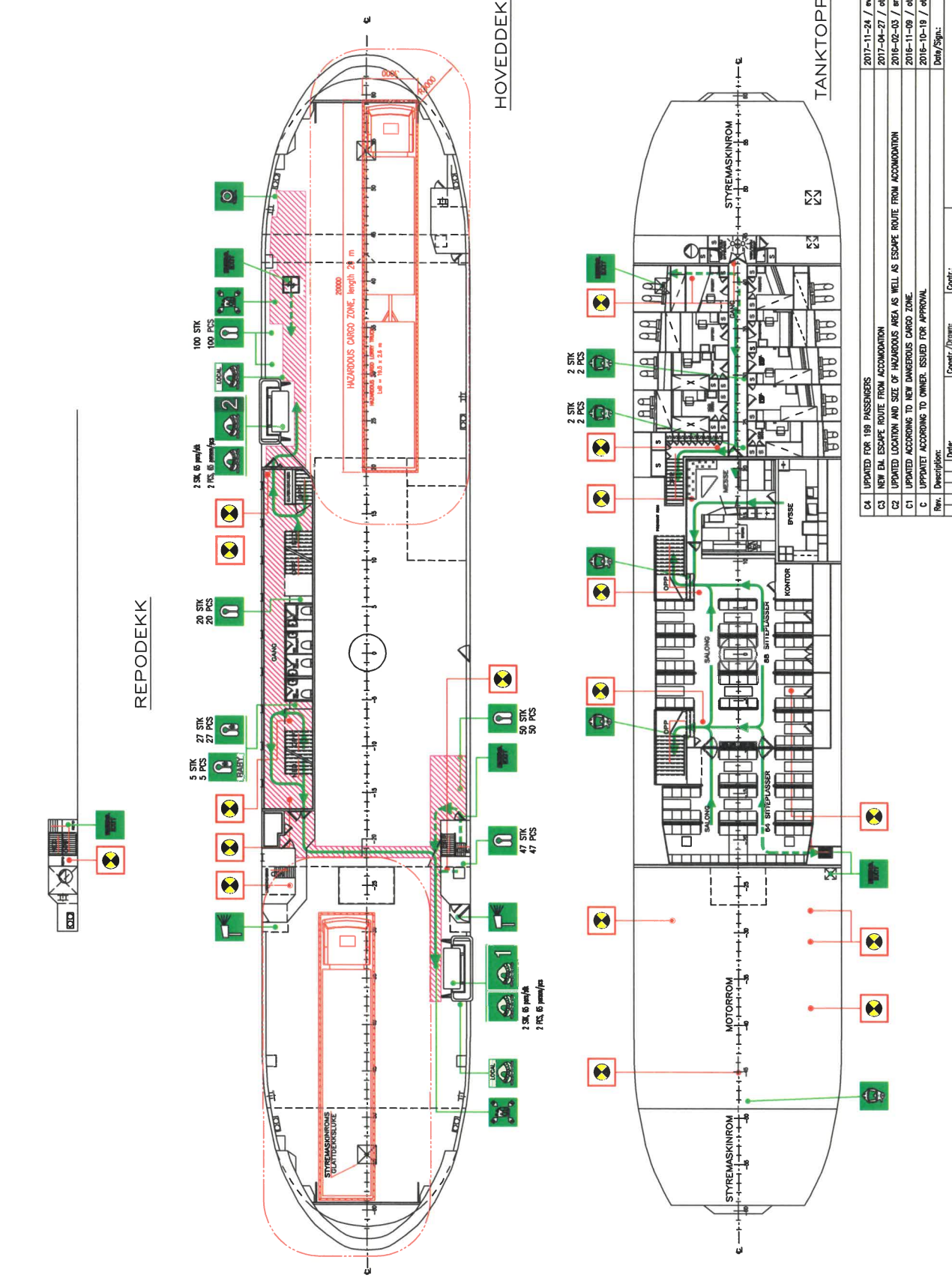
BRODEKK

STYREHUS

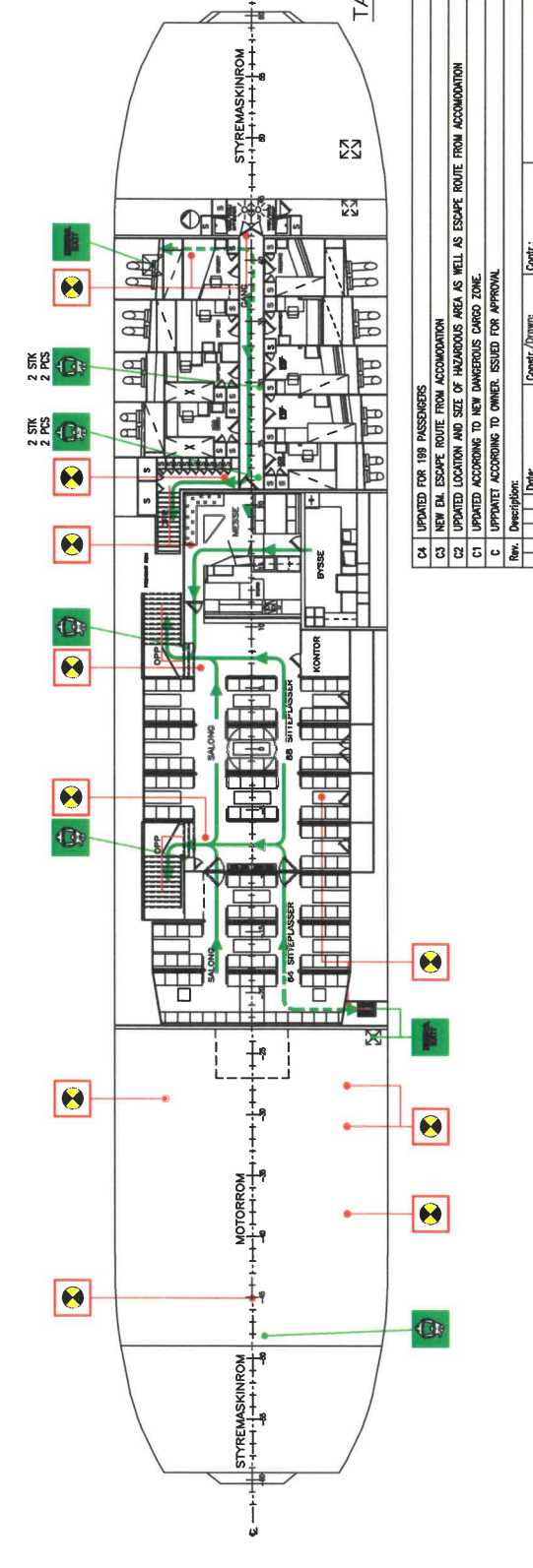


REPODEKK

SYMBOL/ANT	DESCRIPTION BESKRIVELSE
	RESCUE BOAT
	REDDINGSBÅT
	51 PERSONS LIFE RAFT
	51 PERSONS REDDINGSFLÅTE
	KNUBBEN MES/LIFERAFT 65 PERSONS
	KNUBBEN MES/REDDINGSFLÅTE 65 PERSONER
	EVACUATION STATION NO. 1
	EVAKUERINGSSTASJON NR. 1
	EVACUATION STATION NO. 2
	EVAKUERINGSSTASJON NR. 2
	MUSTER STASJON
	SAMLINGSSTASJON
	UTLØSING AV EVAKUERINGSSTYR
	UTLØSING AV EVAKUERINGSSTYR
	LIFEBUOY WITH LIGHT AND LINE
	LIVBOYE MED LYS OG LINE
	LIFEBUOY WITH LIGHT AND SMOKE
	LIVBOYE MED LYS OG RØYK
	LIFEBUOY WITH LINE
	LIVBOYE MED LINE
	ROCKET PARACHUTE FLARE
	FALLSKJERMFLYS
	PORTABLE VHF RADIO
	BARBER VHF RADIO
	EMERGENCY ESCAPE BREATHING DEVICE (EEBD)
	PUSTESTYR FOR MOTORDRIVNING
	CHILD'S LIFE JACKET
	REDDINGSVEST BARN
	LIFE JACKET
	REDDINGSVEST
	BABY'S LIFE JACKET
	REDDINGSVEST BABY
	SURVIVAL SUITS
	OVERLEVELSESDRÅKT
	LIGHT FOR LIFE SAVING EQUIPMENT
	LYS FOR UTSETNING AV REDNINGSUTSTYR
	EMERGENCY EXIT
	NØDUTGANG
	EMERGENCY LIGHT
	NØDLYS
	EMERGENCY SOURCE OF ELECTRICAL POWER (EMERGENCY BATTERY)
	PRIMARY ESCAPE ROUTE
	HOVEDRØMNINGSVEI
	SECONDARY ESCAPE ROUTE
	ALTERNATIV RØMNINGSVEI



HOVEDDEKK



TANKTOPP

MAIN DIMENSIONS

LENGTH:	57.12 m
MAX. LENGTH:	64.49 m
BREADTH:	11.25 m
DEPTH:	4.2 m

C4	UPDATED FOR 199 PASSENGERS	Date:	17.10.2016	Cont./Drawn:	NSK	Check/	EV
C3	NEW EA ESCAPE ROUTE FROM ACCOMMODATION	Date:	2017-04-27	Cont./Drawn:	NSK	Check/	OTF
C2	UPDATED LOCATION AND SIZE OF HAZARDOUS AREA AS WELL AS ESCAPE ROUTE FROM ACCOMMODATION	Date:	2016-02-03	Cont./Drawn:	NSK	Check/	OTF
C1	UPDATED ACCORDING TO NEW DANGEROUS CARGO ZONE	Date:	2016-11-09	Cont./Drawn:	NSK	Check/	OTF
C	UPPDATE ACCORDING TO OWNER, ISSUED FOR APPROVAL	Date:	2016-10-19	Cont./Drawn:	NSK	Check/	OTF
Rev:	Description:	Date:		Cont./Drawn:		Check/	